

# datavideo

## AUTOCAST LIVE

Automate Your Live Production



### AI Podcast Solution



[www.datavideo.com](http://www.datavideo.com)

# AUTOCAST LIVE

Automate Your Live Production

## AI-Powered, Fully Automated, All-in-One Production

Datavideo's podcast system, built around the Autocast Live platform, combines professional-grade auto-tracking cameras with advanced voice-tracking technology to deliver an intuitive and highly reliable production experience.

Podcasting has evolved from a personal medium into a key communication tool across education, corporate training, religious gatherings, and media applications. With advancements in AI, automated switching, and streaming technology, content creation no longer requires a technical director or complex setup.

Datavideo's podcast solution integrates camera capture, audio processing, graphics, switching, and streaming into a single unified workflow—allowing anyone to create high-quality, professional-grade shows with ease and build their own audio-visual brand.



## System Features



### Complete System Video Production

With built-in switching, audio mixing, title overlay, and live streaming, the entire production workflow can be handled within a single system—no extra equipment required.



### AI-Driven Automated Switching

An intelligent algorithm detects the speaker's voice and automatically switches to the right camera. With preset scenes and customizable shots, VoiceTRX delivers smooth, natural transitions throughout your production.



### Intuitive User Interface

Its user-friendly interface allows quick setup of camera positions and switching timings. With one-touch recording, anyone can operate it with ease.



### Multi-Platform Simultaneous Streaming

Record in MP4 while streaming to two platforms at the same time—reaching multiple audience groups effortlessly.



### Automatic Recording & Export

The full production is recorded and saved automatically in standard formats like MP4, making playback, editing, and social media reposting fast and effortless.



## VoiceTRX50 - Tracking System

### Voice Tracking Control Interface



VoiceTRX50

#### USB Audio Mixer



#### Ethernet Switch



#### Switcher



- SE-4000MU**  
4K 12-Channel Rack Mountable Digital Video Switcher
- SE-3200MU**  
HD 12-Channel Rack Mountable Digital Video Switcher
- SE-2600MU**  
HD 8-Channel Rack Mountable Digital Video Switcher
- SE-1200MU**  
HD 6-Channel Digital Video Switcher
- SE-650**  
HD 4-Channel Digital Video Switcher

#### PTZ Camera



- PTC-325**  
4K 30x Tracking PTZ Camera
- PTC-305**  
4K 20x Tracking PTZ Camera
- PTC-285**  
4K 12x Tracking PTZ Camera
- PTC-145**  
HD 20x Tracking PTZ Camera
- VTC-100**  
12x Dual Lens Voice Tracking PTZ Camera

## VoiceTRX100 - Tracking Conference System

### Voice Tracking Control Interface



VoiceTRX100

#### Microphone/Audio Mixer



#### Ethernet Switch



#### Switcher



- iCAST 10NDI MK II**  
4-Channel All-in-one Streaming Switcher
- SE-4000MU**  
4K 12-Channel Rack Mountable Digital Video Switcher
- SE-3200MU**  
HD 12-Channel Rack Mountable Digital Video Switcher
- SE-2600MU**  
HD 8-Channel Rack Mountable Digital Video Switcher
- SE-1200MU**  
HD 6-Channel Digital Video Switcher
- SE-650**  
HD 4-Channel Digital Video Switcher

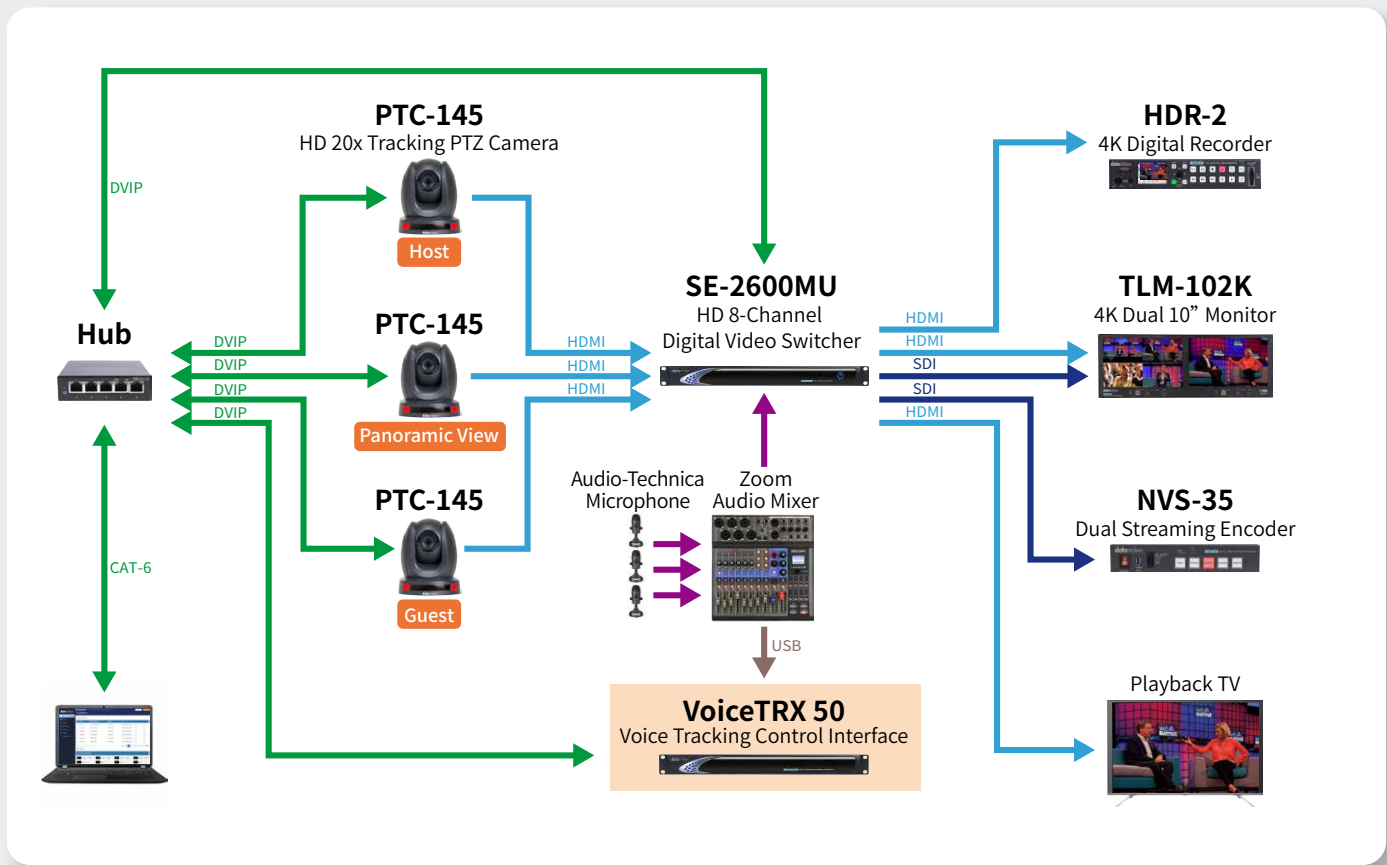
#### PTZ Camera



- PTC-325**  
4K 30x Tracking PTZ Camera
- PTC-305**  
4K 20x Tracking PTZ Camera
- PTC-285**  
4K 12x Tracking PTZ Camera
- PTC-145**  
HD 20x Tracking PTZ Camera
- VTC-100**  
12x Dual Lens Voice Tracking PTZ Camera

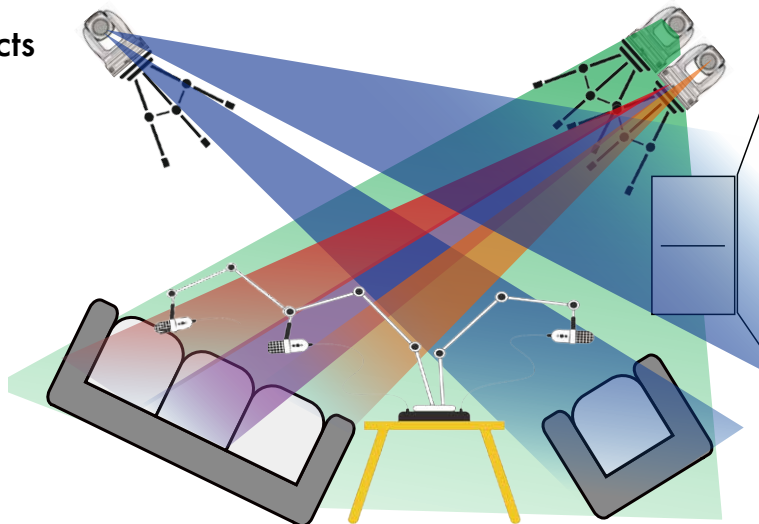
# PODCAST HUB

# AI Podcast Solution

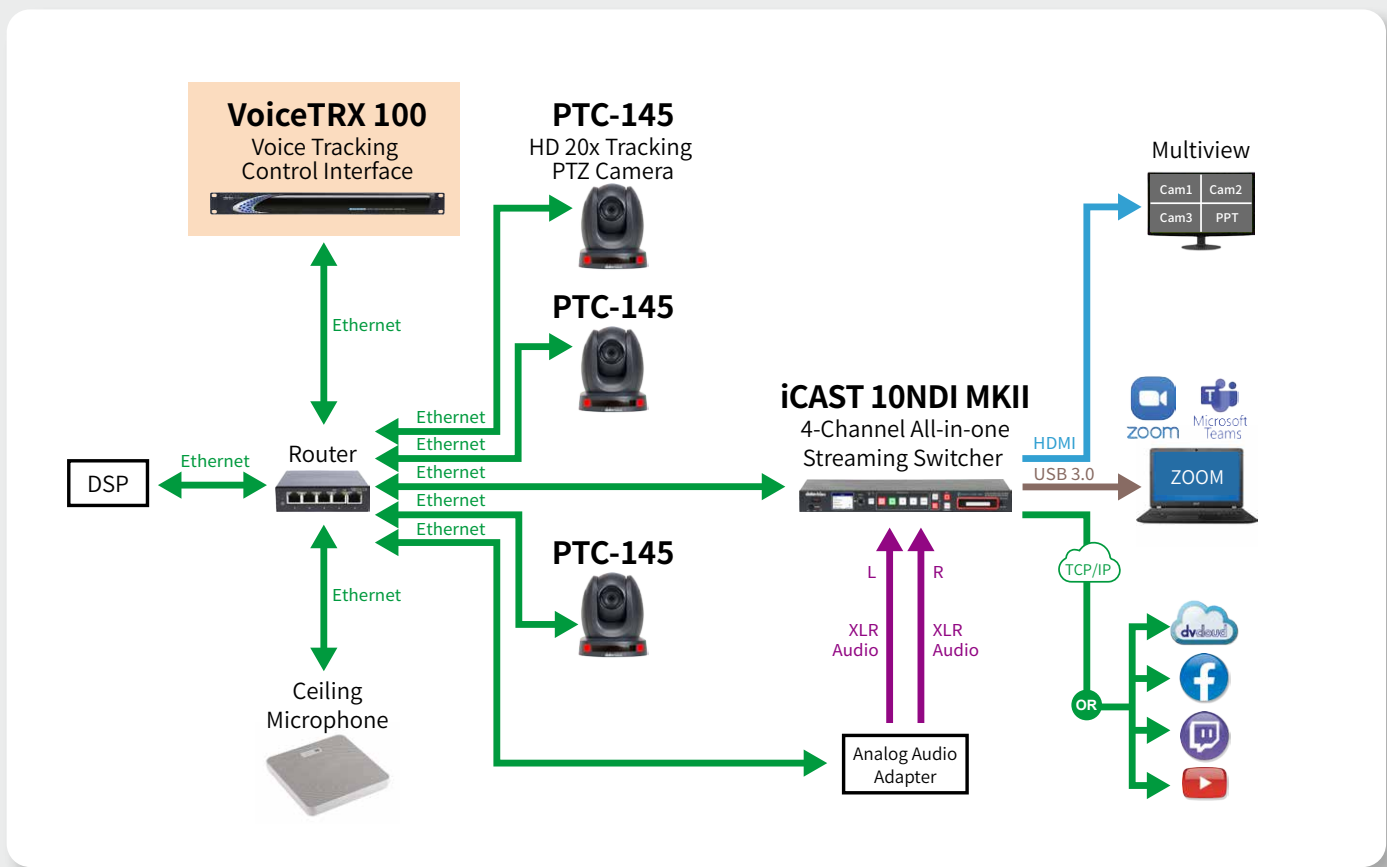


## Workflow Including Datavideo Products

- **VoiceTRX 50**  
Voice Tracking Control Interface
- **PTC-145**  
HD 20x Tracking PTZ Camera
- **SE-2600MU**  
HD 8-Channel Rack Mountable Digital Video Switcher
- **HDR-2**  
4K Digital Recorder
- **TLM-102K**  
4K Dual 10" Monitor
- **NVS-35**  
Dual Streaming Encoder

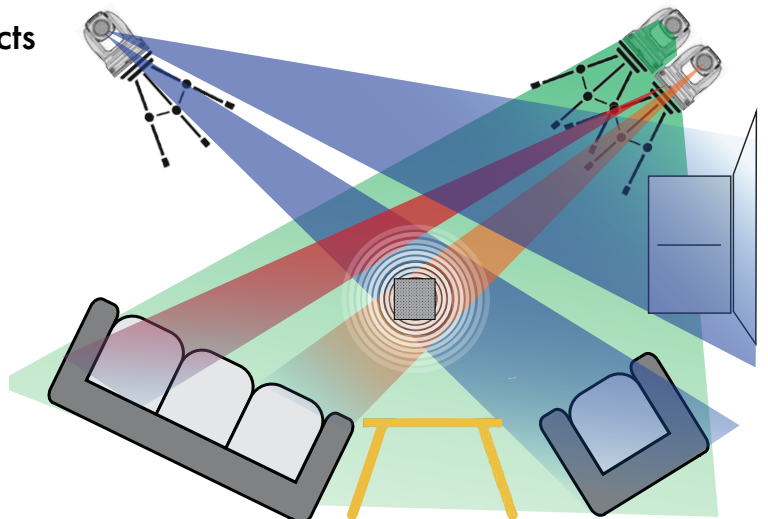


# AI Interview Program Solution



## Workflow Including Datavideo Products

- **VoiceTRX 100**  
Voice Tracking Control Interface
- **PTC-145**  
HD 20x Tracking PTZ Camera
- **iCAST 10NDI MKII**  
4-Channel All-in-one Streaming Switcher



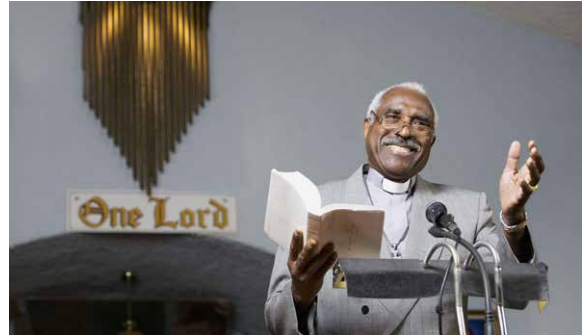
# Application Solutions



## Education Application Solution | Smart Campus Content Production

Podcasting is becoming a powerful tool in modern education. Datavideo's system makes it easy for teachers and students to create content, record lessons, and showcase school culture.

- Student Projects & Sharing
- Lesson Recording & Review
- Admissions & Branding Materials
- Parent & Community Communication



## Church Application Solution | Faith Connections Beyond Time and Space

Podcasting helps sermons and teachings reach beyond the physical church, strengthening connection and spiritual engagement.

- Service Catch-Up & Message Sharing
- Outreach for Seekers & New Audiences
- Community Updates & Testimonies
- Building a Consistent Digital Presence



## Corporate Application Solution | Brand Marketing & Internal Training Content Production

Corporate podcasts offer a modern format for marketing and internal communication. Datavideo provides a complete workflow for recording, switching, and streaming.

- Brand Storytelling & Company Culture
- Content Marketing & Audience Education
- Training, Onboarding & Knowledge Sharing



## Media Transformation Solution | Digital Revitalization for Radio Broadcasting

Radio stations can smoothly transition from audio-only to video-ready production without replacing existing equipment.

- Record Video While Broadcasting
- Extend Content for On-Demand & Multi-Platform Sharing
- Increase Program & Host Visibility
- Expand Reach Through YouTube, Facebook & Podcast Platforms

# Core Equipment of the AI Podcast Voice-Tracking System



## VoiceTRX100

### Voice Tracking Control Interface

- It provides clean and seamless switching, avoiding visible camera movements and delivering a more natural viewing experience.
- The simple mode allows easy setup and configuration, while the advanced mode with logic supports more complex meeting room requirements.
- Enhanced window layouts—such as side-by-side view, picture-in-picture, and embedded overlays—can display both the speaker and the presentation simultaneously.
- The built-in CG (character generator) enables speaker identification during remote meetings and recordings.
- It also supports a wide range of popular conference microphones and ceiling arrays, including Audio-Technica, Shure, and Sennheiser.



## VoiceTRX50

### Voice Tracking Control Interface

- It delivers clean, seamless switching that avoids showing camera movements, resulting in a more natural viewing experience.
- With the simple mode configuration, setup and programming can be completed easily, enabling automated meeting workflows in minutes.
- When paired with a DataVideo switcher, the built-in CG (character generator) can display real-time speaker information during meetings and recordings.
- It also supports a wide range of popular USB audio mixers, such as Zoom and RØDE, providing greater flexibility in sound control.

## Microphone — Used with VoiceTRX 100



## USB Mixer — Used with VoiceTRX 50



**datavideo**  
www.datavideo.com



 **datavideo**  
DATAVIDEO ACADEMY  
www.datavideoacademy.com



@DatavideoUSA  
@DatavideoEMEA  
@DatavideoTaiwan

@DatavideoAsia  
@DatavideoIndia2016  
@Datavideojapan



@Datavideo  
@Datavideo\_EMEA  
@Datavideo\_Taiwan



@DatavideoUSA  
@DVTWDVCN



@DatavideoUSA  
@DatavideoEurope

**Disclaimers of Product and Services**

This brochure is intended as a guide only. We reserve the right to change specifications and availability without prior notice. While we strive for complete accuracy, be aware that it may contain errors and omissions. Prior to purchase, please check with your local Datavideo office or authorised distributor.

Ver.20260113